

Classic 1 group



**Ref: 602626
(CLASSIC1)**

Traditional espresso machine, 1 group, 6.3 liter boiler, 4 programmable dosing program, manual steam & water, automatic cleaning cycle, stainless steel body

General Features

Traditional 1 group espresso machine with large steam boiler. Elegant lines and reliable technologies appreciated by coffee professionals, the CLASSIC model is made more attractive by its quality/ price ratio. Designed for rugged commercial application, the CLASSIC is the perfect traditional espresso machine to ensure an excellent quality espresso result, consistency and high performance during rush period.

Classic 1 group

Specifications

- The CLASSIC Elegant lines and reliable technologies appreciated by coffee professionals, the CLASSIC model is made more attractive by its quality/ price ratio. The CLASSIC is the perfect traditional espresso machine to ensure an excellent quality espresso result, and consistency even during the busiest periods of the day.
- Heavy duty components and welded construction, a direct mounted boiler group head for thermal stability and reliable extraction, easy access to components for uncomplicated servicability, and unlimited steam.
- Maestro brew group: directly to boiler group heads are mounted for shot temperature stability.
- Large cup warming capacity: integrated cup warmer on the top of the machines.
- 4 programmable volume keys per group + Semi-automatic key for each group for manual control.
- Automatic cleaning program.

Construction

- Built-in cup warmer.

Included Accessories

- 1 of Filter holder for one cup PNC 871002
- 1 of Filter holder for two cups PNC 871003

Optional Accessories

- Filter holder for one cup PNC 871002
- Filter holder for two cups PNC 871003
- Knock box drawer for 2-group machines PNC 871006
- Knock box drawer for 3-group machines PNC 871007
- Filter for one cup, 12 gr PNC 871017
- Filter for two cups, 18 gr PNC 871018
- Stainless steel knock box drawer PNC 871019

Classic 1 group

Electric

Supply voltage:

602626 (CLASSIC1) 230 V/1N ph/50/60 Hz

Electrical power max.: 3 kW

Plug type:

Water:

Cold water temperature

(min/max): 5 / 60 °C

Key Information:

External dimensions,

Width: 343 mm

External dimensions,

Depth: 568 mm

External dimensions,

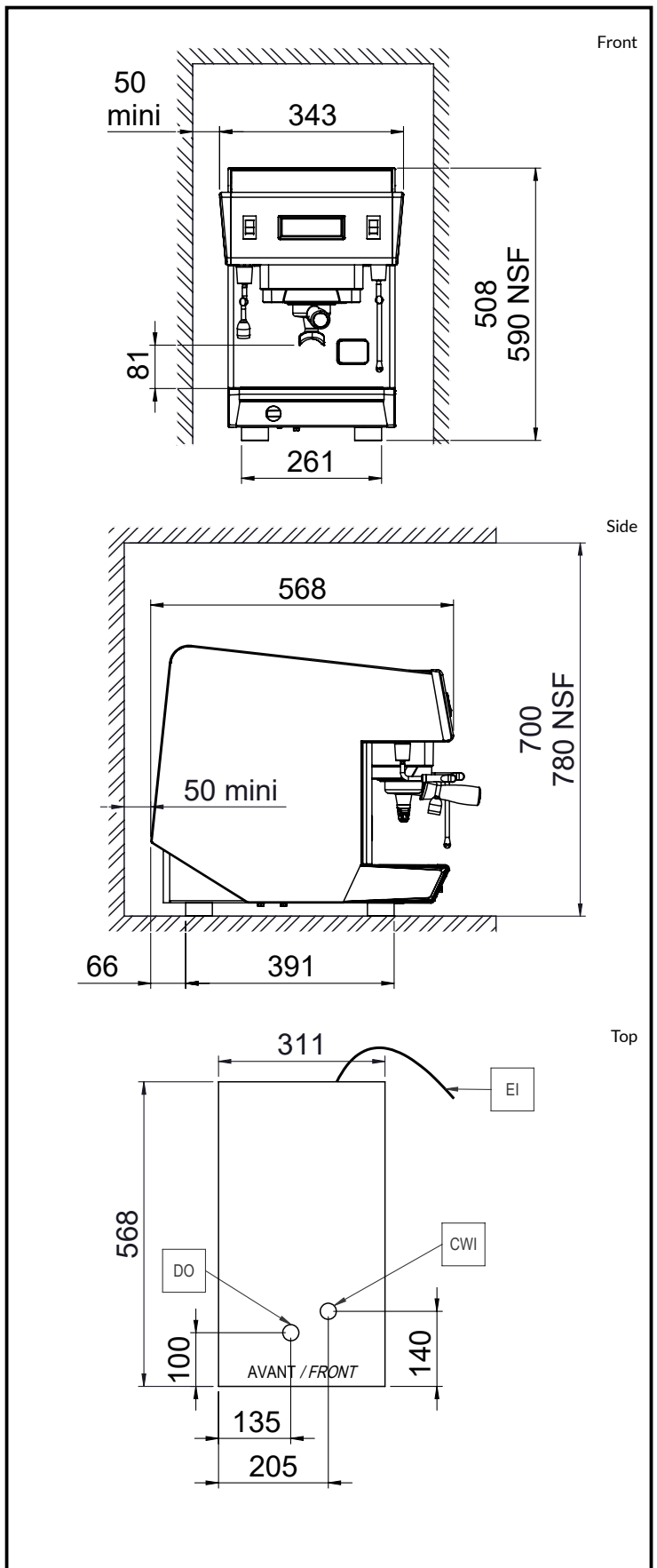
Height: 508 mm

Net weight: 41 kg

Shipping volume: 0.32 m³

Sustainability

Current consumption:



Certifications



The company reserves the right to make modifications to the products without prior notice. All information correct at time of printing.

2024.04.08

Part of  Electrolux Professional Group

UNIC